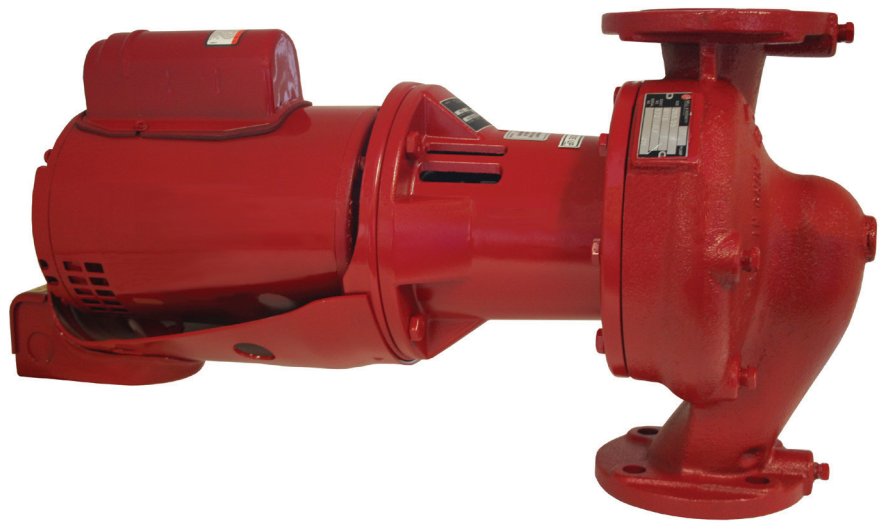


Available  
with ECM motor

- 250 °F (121°C) maximum fluid temperature
- 175 psi (12 bar) maximum working pressure
- 215 GPM (49 m<sup>3</sup>/hr) maximum flow
- 55 ft (17 m) maximum head



# Series e-60

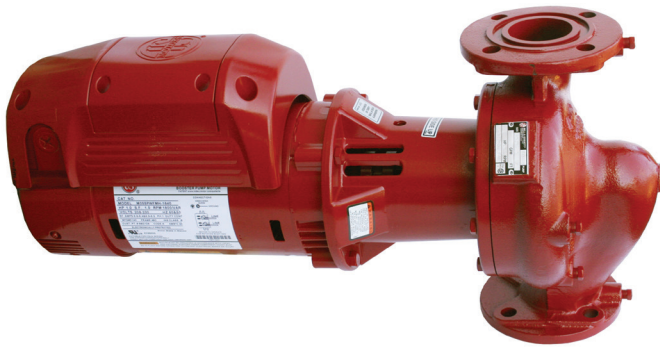
## In-Line Mounted Centrifugal Pump

MAINTENANCE FREE



# Series e-60

## Maintenance-Free In-Line Centrifugal Pump



**Shown with optional ECM motor**

The Series e-60 is a three-piece in-line centrifugal pump designed for heating and cooling, potable water, and other fluid transfer applications. Series e-60 features:

- Upgraded unitized mechanical seal
- Dimensional interchangeability with legacy Series 60
- Series e-60 ECM for simple variable speed control
- 3 year workmanship warranty (1 year for ECM)

### Ease of Selection

Series e-60 pumps come in 9 sizes, with 144 available stock models and many more Built-to-Order configurations. Both stock and BTO pumps are easily selectable using B&G pump selection and e-order software.

### Simple, Versatile Installation

The Series e-60 mounts directly to system piping by its bolted flange connections, offering design flexibility and saving valuable floor space. As a replacement pump, the Series e-60 is a perfect drop-in solution, as flange-to-flange and intake/suction dimensions are identical to equivalent legacy Series 60 models – and even some competitors' pumps.

### Robust Design

The Series e-60 employs high quality components for smooth performance and long pump life. The pump's permanently lubricated rotating bearings come fully enclosed in Polyrex™ grease for true maintenance-free operation. The unitized mechanical seal offers better performance and longer life.

### Ease of Service

Three-piece design allows for minimally invasive service. The motor, coupler, seal and impeller can all be repaired or replaced without removing the pump from its piping. The one-piece seal simplifies seal replacement, eliminating the clumsy task of assembling difficult seal components to the shaft.

### High Hydraulic Efficiency

The Series e-60 boasts industry-leading hydraulic efficiency at each of its pump sizes.

The Series e-60's "efficiency islands" are also the widest in its class, signifying high hydraulic efficiency up and down its performance curves, and energy savings at any point of a variable load system. Even away from its Best Efficiency Point, Series e-60 performs more efficiently than its competition.



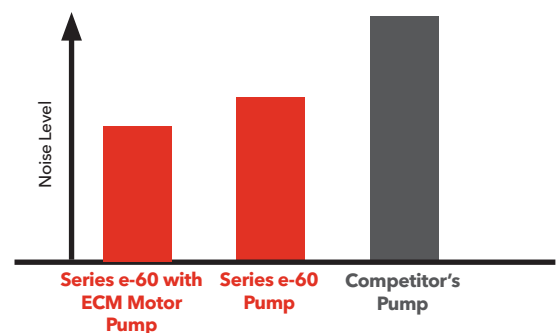
### Motors

- B&G power pack and C-face motors
- 1/3 to 3 HP, 1725 RPM
- Standard ODP, optional TEFC
- All motor bearings permanently greased

### Series e-60 ECM

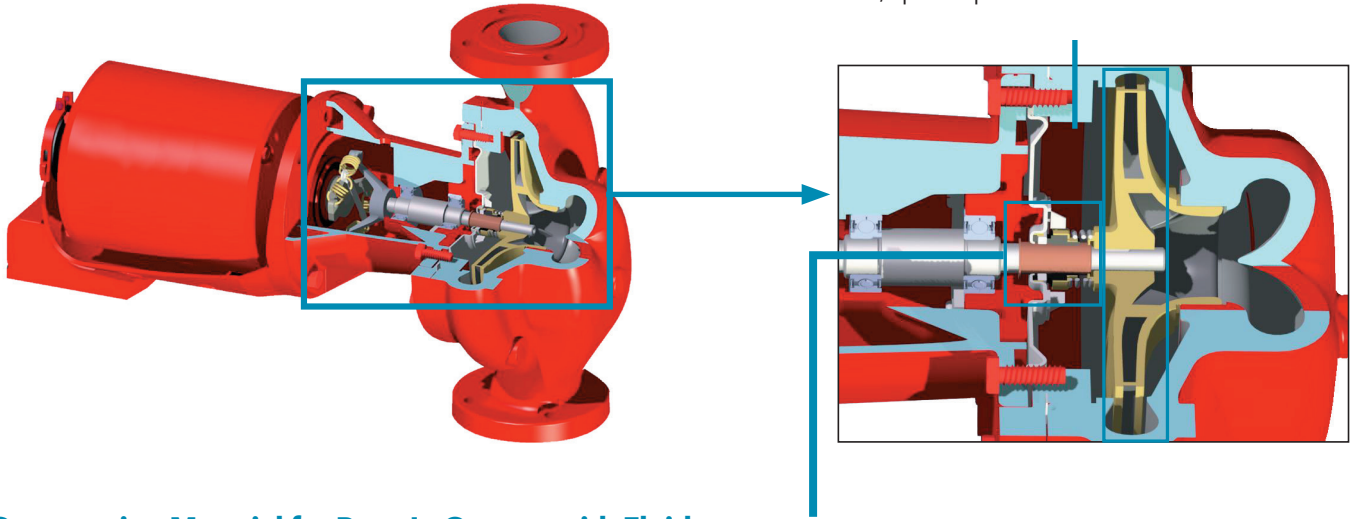
- Variable Speeds from 300-1725 RPM
- On-board dial for manual speed control
- 0-10V DC signal input for automatic control
- Quieter operation than standard induction motors
- ECM up to 82% efficient at constant speed

**Series e-60 with ECM Motor Pump is 5% quieter than standard Series e-60**



## Impeller

State-of-the-art vacuum cast impellers provide smooth, quiet operation.



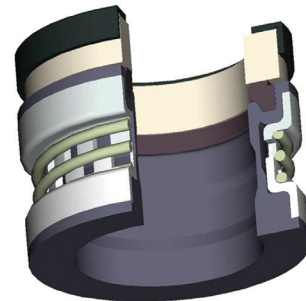
## Construction Material for Parts In Contact with Fluid

Pump Component	Materials of Construction	
	Bronze Fitted	All Bronze
Volute	Cast Iron ASTM A159	Cast Bronze ASTM B584
Face Plate	304 Stainless Steel	304 Stainless Steel
Impeller	ASTM B584	ASTM B584
Impeller Key	Carbon Steel	Carbon Steel
Impeller Lock Washer	Stainless Steel	Stainless Steel
Impeller Lock Nut	Stainless Steel	Stainless Steel
Shaft	Steel	Steel
Shaft Sleeve	Copper Alloy 110	Copper Alloy 110
Volute Gasket	Cellu-Fiber	Cellu-Fiber
Cover Plate (7" Impeller size only)	Cast Iron ASTM A159	CF8 Stainless ASTM A351
Companion Flanges	1", 1.25" & 1.5" sizes Formed Steel	1" & 1.25" sizes Formed Brass
	2' & 3" sizes Cast Iron ASTM A159	1.5" & 2" sizes Cast Brass ASTM B584

## Internally Self-flushing, Unitized Mechanical Seal

The Series e-60 features a modern unitized mechanical seal design with a stainless steel drive mechanism that puts less torsional stress on the seal bellows.

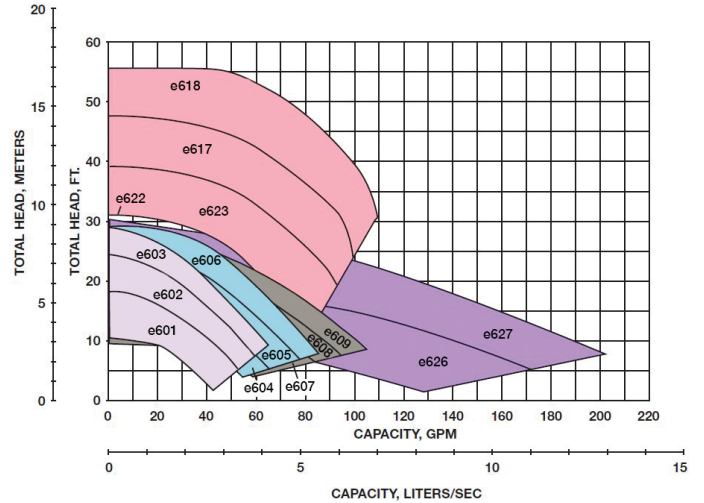
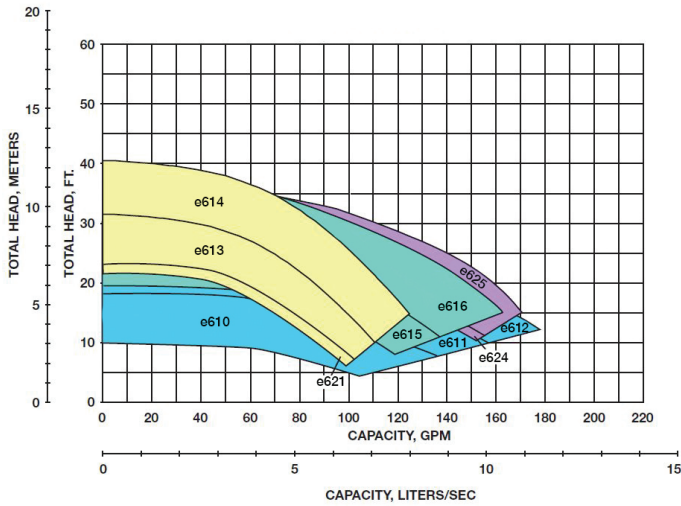
The pump's open seal chamber design delivers ample fluid circulation at the seal face, ensuring reduced heat buildup and increased particle removal. The result is worry-free performance over the long life of the mechanical seal.



## Mechanical Seal Data

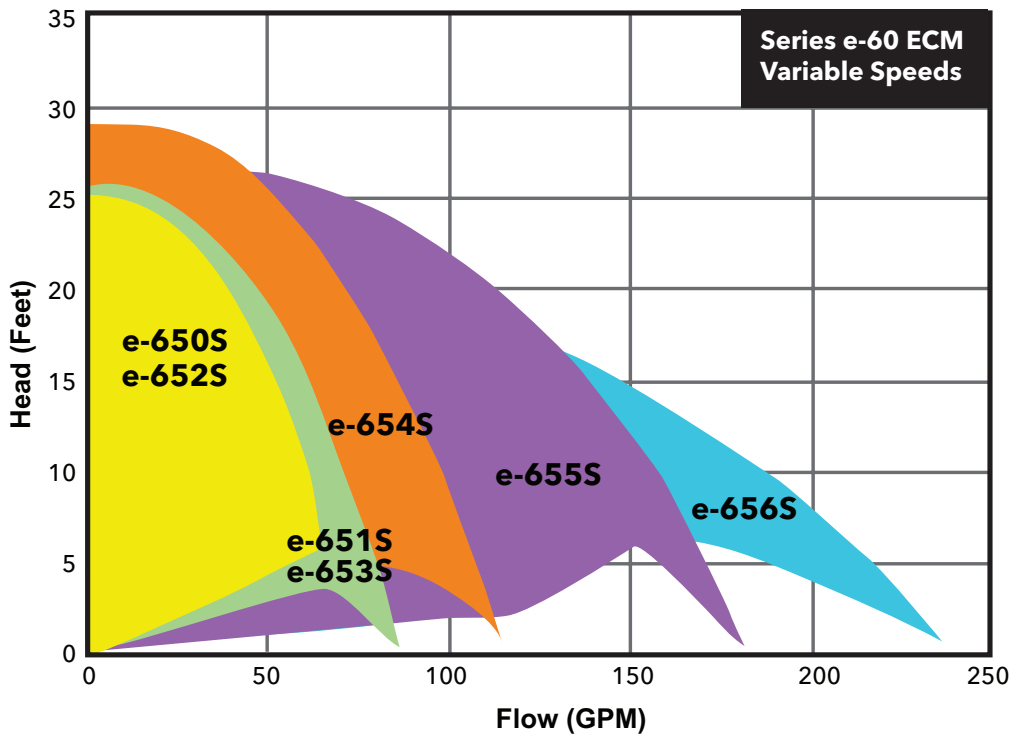
Seal Selection	Seal Housing	Seal Elastomer	Seal Ring	Spring	Seat Insert	Temperature Range	pH Range	Max. Glycol/Water Ratio
<b>EPR/Carbon/SiC (Std.)</b>	Stainless Steel	EPR	Carbon	Stainless Steel	Silicon-Carbide	-10 to 250°F (-23 to 121°C)	7.0 - 11.0	50/50
<b>FKM/Carbon/SiC (Opt.)</b>	Stainless Steel	FKM	Carbon	Stainless Steel	Silicon-Carbide	-10 to 225°F (-23 to 107°C)	7.0 - 9.0	60/40
<b>EPR/SiC/SiC (Opt.)</b>	Stainless Steel	EPR	Graphite Silicon-Carbide	Stainless Steel	Graphite Silicon-Carbide	-10 to 250°F (-23 to 121°C)	7.0 - 12.0	50/50

## Standard Performance Curves



## ECM Performance Curves

### Hydraulic Curve Performance Range Series e-60 with ECM



We value your feedback. Please take our 3 question survey at [bellgossett.com/survey](http://bellgossett.com/survey) to let us know how we are doing.



Xylem Inc.  
8200 N. Austin Avenue  
Morton Grove, Illinois 60053  
Phone: (847) 966-3700  
Fax: (847) 965-8379  
[www.bellgossett.com](http://www.bellgossett.com)

Bell & Gossett is a trademark of Xylem Inc. or one of its subsidiaries.  
© 2017 Xylem Inc. B-123 May 2017